

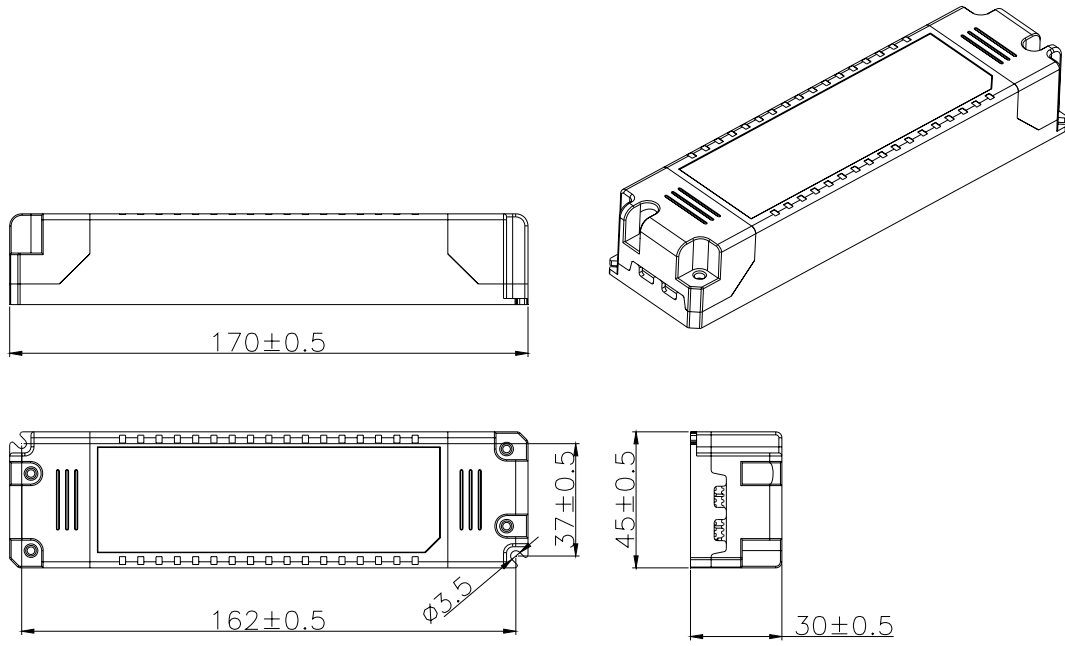
- ▲Constant current design
- ▲Input Voltage 220-240VAC
- ▲Protections: short circuit/over load/over voltage
- ▲IP20 Ingress protection
- ▲Power Factor >0.95
- ▲Efficiency ≥85%
- ▲Class II, SELV, Independent
- ▲DALI with push dimmable
- ▲Current ADJ. by dip-switch
- ▲5 years warranty



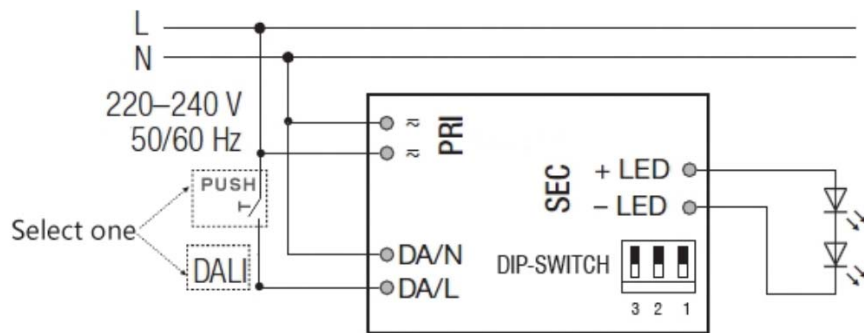
SPECIFICATION

Input	Rated input voltage	220-240VAC					
	Range of input voltage	176-264VAC					
	Frequency(Hz)	50/60 Hz					
	Power Factor	>0.95@220-240VAC, full load					
	Input Current max	0.32A MAX. @Full Load,176VAC					
	Start-up time	<1S					
	Unload Power Consumption	≤0.5W					
	Inrush Current	20A Max.					
	THD	<12%.					
	Leakage Current	<0.5mA(240VAC)					
Output	Constant Current Max.	1050mA					
	Unload voltage Max.	50 VDC					
	Voltage Range(VDC)	19-38VDC					
	Rated power	39.9W Max.					
	Current ADJ. Range by dip-switch	Vo	Po	Io	1	2	3
		19-38VDC	26.6W	700mA	--	--	--
		19-38VDC	30.4W	800mA	ON	--	--
		19-38VDC	34.2W	900mA	ON	ON	--
		19-38VDC	39.9W	1050mA	ON	ON	ON
		Current Accuracy	±5%				
	Voltage Regulation	±5% @Full Load					
	Load Regulation	≤5%					
	Hold-up Time	1s max.@Full Load					
	Ripple& Noise *Note.2	≤63mAp-p@Full Load,240VAC					
	Efficiency(Typ.)	≥85%					
Dimming	Dimmable	YES					
	Dimming mode	DALI with push					
	Dimming current range	2%~100%					
Protection	Over Load Protection	103-120% Protection type: Auto Resume					
	Over Voltage Protection	> 50VDC Protection type: Auto Resume					
	Short circuit Protection	Protection type: Auto Resume					
	Over Temperature protection	NA					
Environment	Operating Temperature	-20℃...+45℃					
	tc	90℃					
	Storage Temperature	-25℃...+60℃					
	Humidity	20%-95%RH					
	Life time	> 30,000h @45℃					
Others	Dimension	170X45X30(LXWXH)mm					
Safety & EMC	Safety standards	EN 61347-1; EN61347-2-13; EN62384					
	Withstand voltage	Input-Output: 3750V/5mA/1min					
	Isolation resistance	Input-Output: ≥4MΩ@500VDC					
	EMI	EN55015; EN61000-3-2 Class C; EN61000-3-3					
	EMS	EN 61547; EN 61000-4-2 —Performance Criteria B; EN 61000-4-5 —1000V; Performance Criteria C					
Note	1.All parameters NOT specially mentioned are measured at 240VAC input , full load and 25℃ of ambient temperature. 2.Ripple & Noise are measured at 20MHZ of bandwidth by using a 300mm twisted pair-wire terminated with a 0.1uF & 47 uF parallel capacitor.						

MECHANICAL SPECIFICATIONS



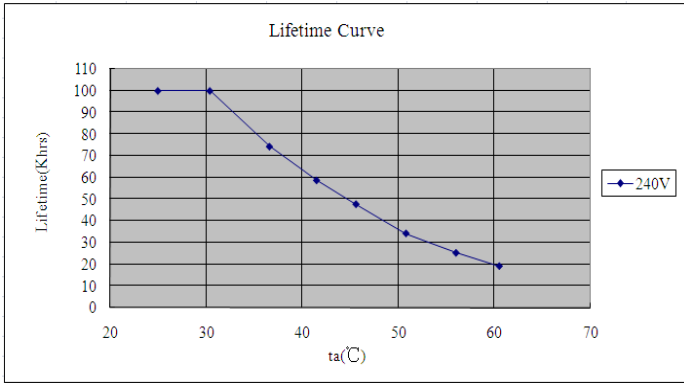
Connection diagram



CURVE

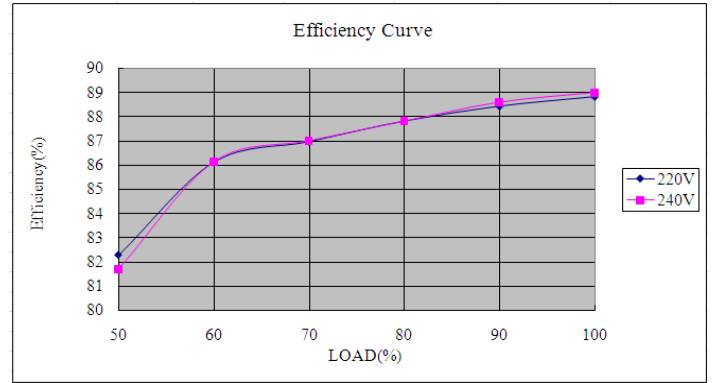
Lifetime vs. Ambient Temperature Curve

for $I_o=1050mA$

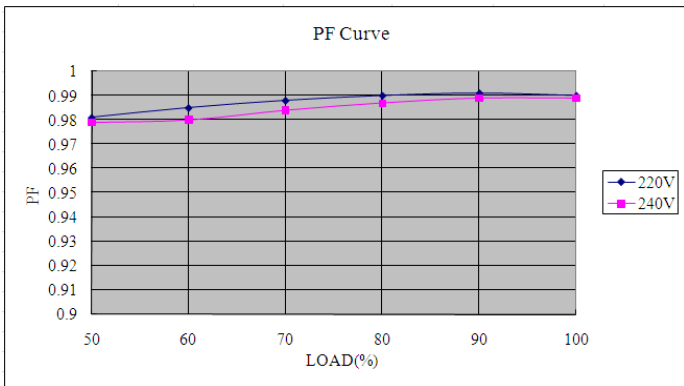


Efficiency vs. Load

for $I_o=1050mA$



Power Factor Characteristics for $I_o=1050mA$



THD vs. Load for $I_o=1050mA$

